

# Panic devices for emergency exits



# Panic devices for emergency exits

## Exterior accessories - knob or handle



### 1 • Knob / Handle

Allow the operation of the latches of the panic device

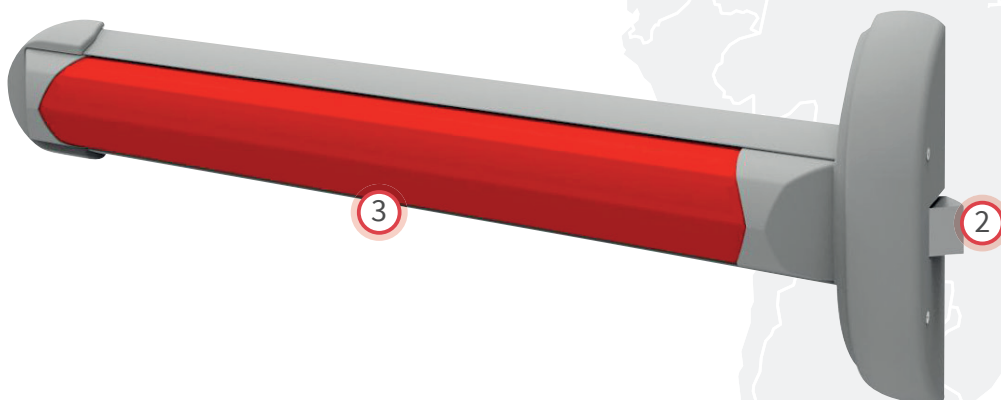
### 2 • Deadbolt

Mobile element engaging in strike plate, operated by the push bar

### 3 • Touch-bar

Panic device with push bar

## 1 Point Touch Bar



### 3 Points Cross Bar

**1 • Upper latch**

**2 • Rod**

Link element transmitting the movement between the main lock and additional locks

**3 • Deadbolt**

Mobile element engaging in strike plate, operated by the push bar

**4 • Push bar**

Element allowing operation of opening mechanism

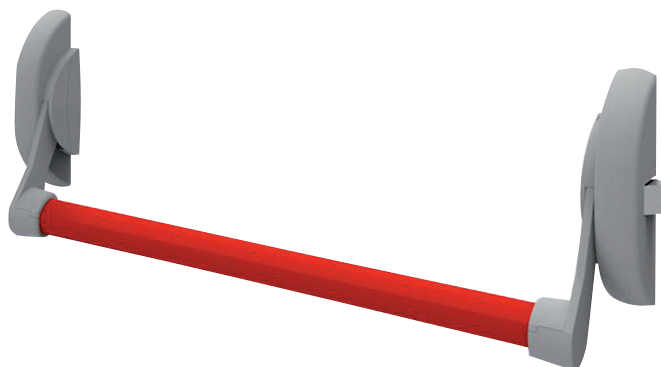
**5 • Lateral bolt**



# Cross-bars “issuDOM”

## issuDOM - CP100

Cross-bars - 1 point



### Technical features

Type of mounting	Rim lock
Number of locking points	1
Application	Aluminium, steel, wooden doors, PVC profiles, emergency exit doors, doors for heavy traffic areas
Reversible	Yes
Fire resistant	Yes
Outside opening	Knob or handle
Bar dimension	950 mm
Bar material	Aluminium
Bar finish	Lacquered
Material of the cases	Steel/zamak
Protection	Anti-corrosion treatment
Certifications and Standards	Certified EN 1125: 2008 Level 7 (max.)
Durability test	More than 200 000 cycles opening/closing
Supplied accessories	Strike plate, screws, cover plate



**Design**  
Fire-resistant as standard  
Easy-fitting  
Reduced size of case  
Reversible without disassembling

### Additional products



Exit pad



Exterior accessories with knob or handle



Adaptation kit

# Cross-bars “issuDOM”

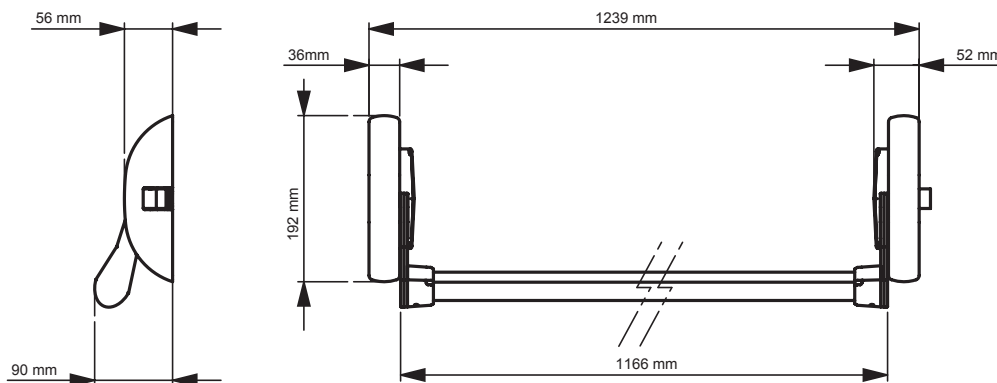
## issuDOM - CP100

Cross-bars - 1 point



BAR DIMENSION	FINISH	ARTICLE NUMBER
950	White RAL 9016	F2CR1PT0003
950	Aluminium tone RAL 9006	F2CR1PT0002
950	Black RAL 9005	F2CR1PT0001
950	Bicolor aluminium tone RAL 9006 Red bar RAL 3020	F2CR1PT0010
950	Bicolor aluminium tone RAL 9006 Green anise bar RAL 6019	F2CR1PT0030
1150	White RAL 9016	F2CR1PT0006
1150	Aluminium tone RAL 9006	F2CR1PT0005
1150	Black RAL 9005	F2CR1PT0004
1150	Bicolor aluminium tone RAL 9006 Red bar RAL 3020	F2CR1PT0013
1150	Bicolor aluminium tone RAL 9006 Green anise bar RAL 6019	F2CR1PT0031
1450	White RAL 9016	F2CR1PT0009
1450	Aluminium tone RAL 9006	F2CR1PT0008
1450	Black RAL 9005	F2CR1PT0007
1450	Bicolor aluminium tone RAL 9006 Red bar RAL 3020	F2CR1PT0016
1450	Bicolor aluminium tone RAL 9006 Green anise bar RAL 6019	F2CR1PT0032

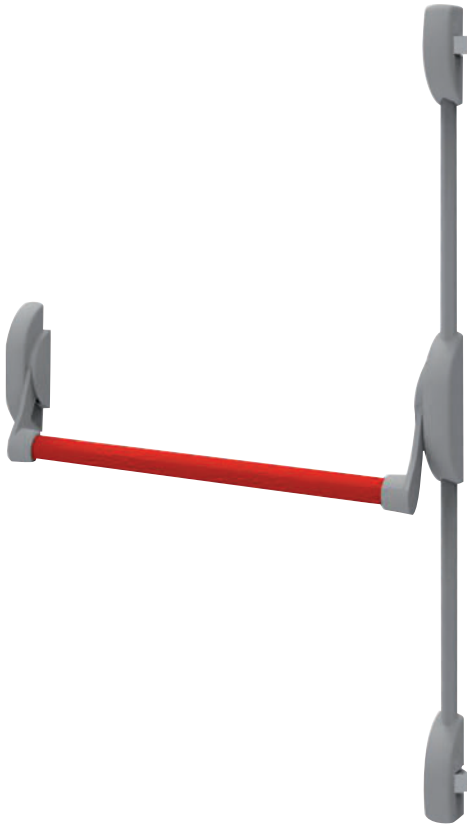
Dimensions in mm



# Cross-bars “issuDOM”

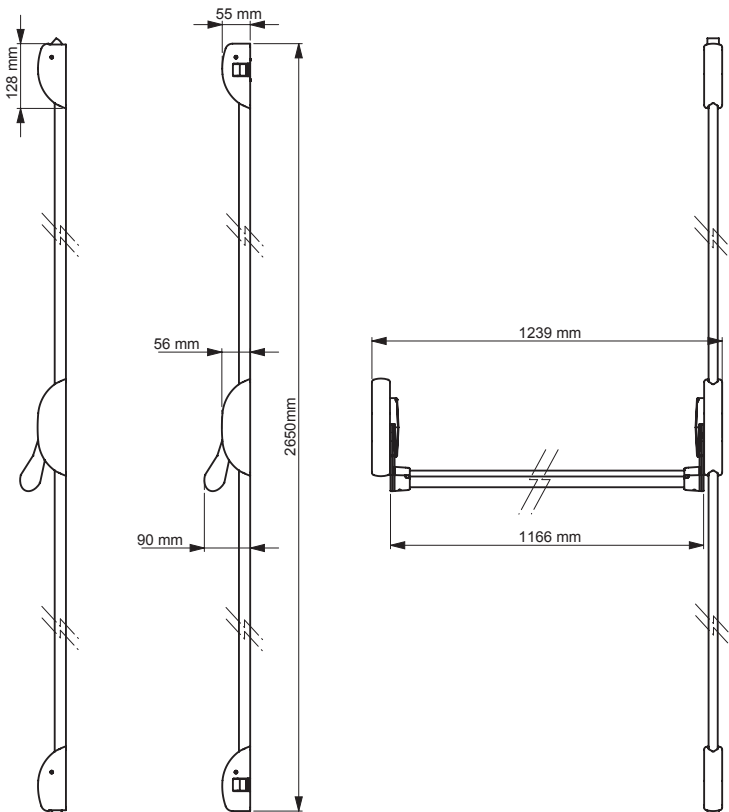
## issuDOM - CP200

Cross-bars - 2 points



### Technical features

Type of mounting	Rim lock
Number of locking points	2
Application	Aluminium, steel, wooden doors, PVC profiles, emergency exit doors, doors for heavy traffic areas
Reversible	Yes
Fire resistant	Yes
Outside opening	Knob or handle
Bar dimension	950 mm
Bar material	Aluminium
Bar finish	Lacquered
Rod height	2660 mm
Adjustable upper and lower locking points	Yes
Rods material	Steel
Material of the cases	Steel/zamak
Protection	Anti-corrosion treatment
Certifications and Standards	Certified EN 1125: 2008 Level 7 (max.)
Durability test	More than 200 000 cycles opening/closing
Supplied accessories	Strike plate, screws, cover plate



**+** Design  
 Fire-resistant as standard  
 Easy-fitting  
 Reduced size of case  
 Reversible without disassembling  
 Lateral latches avoiding floor strikes fixing

### Additional products



# Cross-bars “issuDOM”

## issuDOM - CP200

Cross-bars - 2 points



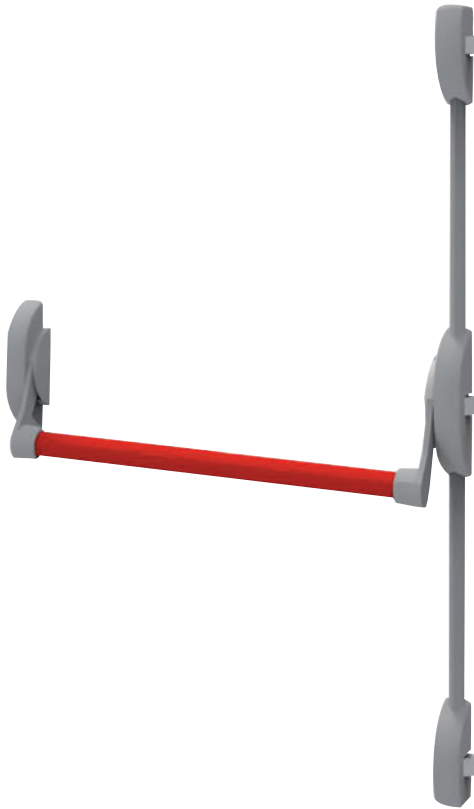
DEADBOLTS	BAR DIMENSION	FINISH	ARTICLE NUMBER
Upper and lower	950	White RAL 9016	F2CR2PT0003
Upper and lower	950	Aluminium tone RAL 9006	F2CR2PT0002
Upper and lower	950	Black RAL 9005	F2CR2PT0001
Upper and lower	950	Bicolor aluminium tone RAL 9006 Red bar RAL 3020	F2CR2PT0007
Upper and lower	950	Bicolor aluminium tone RAL 9006 Green anise bar RAL 6019	F2CR2PT0040
Upper and lower	1150	White RAL 9016	F2CR2PT0006
Upper and lower	1150	Aluminium tone RAL 9006	F2CR2PT0070
Upper and lower	1150	Black RAL 9005	F2CR2PT0004
Upper and lower	1150	Bicolor aluminium tone RAL 9006 Red bar RAL 3020	F2CR2PT0010
Upper and lower	1150	Bicolor aluminium tone RAL 9006 Green anise bar RAL 6019	F2CR2PT0041
Upper and lower	1450	Aluminium tone RAL 9006	F2CR2PT0071
Lateral	950	White RAL 9016	F2CR2PT0015
Lateral	950	Aluminium tone RAL 9006	F2CR2PT0014
Lateral	950	Black RAL 9005	F2CR2PT0013
Lateral	950	Bicolor aluminium tone RAL 9006 Red bar RAL 3020	F2CR2PT0022
Lateral	950	Bicolor aluminium tone RAL 9006 Green anise bar RAL 6019	F2CR2PT0042
Lateral	1150	White RAL 9016	F2CR2PT0018
Lateral	1150	Aluminium tone RAL 9006	F2CR2PT0017
Lateral	1150	Black RAL 9005	F2CR2PT0016
Lateral	1150	Bicolor aluminium tone RAL 9006 Red bar RAL 3020	F2CR2PT0025
Lateral	1150	Bicolor aluminium tone RAL 9006 Green anise bar RAL 6019	F2CR2PT0043
Lateral	1450	White RAL 9016	F2CR2PT0021
Lateral	1450	Aluminium tone RAL 9006	F2CR2PT0005
Lateral	1450	Black RAL 9005	F2CR2PT0019
Lateral	1450	Bicolor aluminium tone RAL 9006 Red bar RAL 3020	F2CR2PT0028
Lateral	1450	Bicolor aluminium tone RAL 9006 Green anise bar RAL 6019	F2CR2PT0044

Dimensions in mm

# Cross-bars “issuDOM”

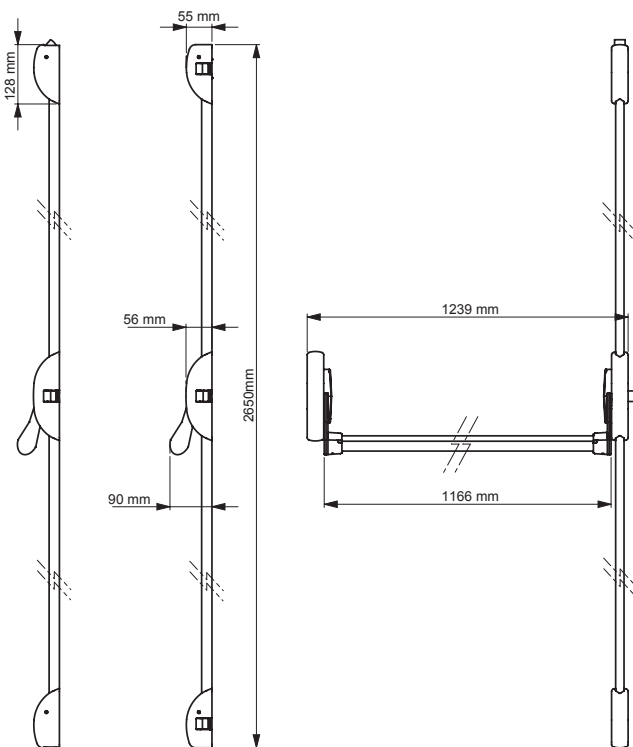
## issuDOM - CP300

Cross-bars - 3 points



### Technical features

Type of mounting	Rim lock
Number of locking points	3
Application	Aluminium, steel, wooden doors, PVC profiles, emergency exit doors, doors for heavy traffic areas
Reversible	Yes
Fire resistant	Yes
Outside opening	Knob or handle
Bar dimension	950 mm
Bar material	Aluminium
Bar finish	Lacquered
Rod height	2660 mm
Adjustable upper and lower locking points	Yes
Rods material	Steel
Material of the cases	Steel/zamak
Protection	Anti-corrosion treatment
Certifications and Standards	Certified EN 1125: 2008 Level 7 (max.)
Durability test	More than 200 000 cycles opening/closing
Supplied accessories	Strike plate, screws, cover plate



**+** Design  
 Fire-resistant as standard  
 Easy-fitting  
 Reduced size of case  
 Reversible without disassembling  
 Lateral latches avoiding floor strikes fixing

### Additional products



Exit pad



Exterior accessories with knob or handle



Adaptation kit



## Cross-bars “issuDOM”

## issuDOM - CP300

Cross-bars - 3 points



DEADBOLTS	BAR DIMENSION	FINISH	ARTICLE NUMBER
Upper and lower	950	White RAL 9016	F2CR3PT0003
Upper and lower	950	Aluminium tone RAL 9006	F2CR3PT0002
Upper and lower	950	Black RAL 9005	F2CR3PT0001
Upper and lower	950	Bicolor aluminium tone RAL 9006 Red bar RAL 3020	F2CR3PT0010
Upper and lower	950	Bicolor aluminium tone RAL 9006 Green anise bar RAL 6019	F2CR3PT0040
Upper and lower	1150	White RAL 9016	F2CR3PT0006
Upper and lower	1150	Aluminium tone RAL 9006	F2CR3PT0005
Upper and lower	1150	Black RAL 9005	F2CR3PT0004
Upper and lower	1150	Bicolor aluminium tone RAL 9006 Red bar RAL 3020	F2CR3PT0013
Upper and lower	1150	Bicolor aluminium tone RAL 9006 Green anise bar RAL 6019	F2CR3PT0041
Upper and lower	1450	Aluminium tone RAL 9006	F2CR3PT0008
Upper and lower	1450	Black RAL 9005	F2CR3PT0007
Upper and lower	1450	Bicolor aluminium tone RAL 9006 Red bar RAL 3020	F2CR3PT0016
Upper and lower	1450	Bicolor aluminium tone RAL 9006 Green anise bar RAL 6019	F2CR3PT0042
Lateral	950	White RAL 9016	F2CR3PT0021
Lateral	950	Aluminium tone RAL 9006	F2CR3PT0020
Lateral	950	Black RAL 9005	F2CR3PT0019
Lateral	950	Bicolor aluminium tone RAL 9006 Red bar RAL 3020	F2CR3PT0028
Lateral	950	Bicolor aluminium tone RAL 9006 Green anise bar RAL 6019	F2CR3PT0044
Lateral	1150	White RAL 9016	F2CR3PT0024
Lateral	1150	Aluminium tone RAL 9006	F2CR3PT0023
Lateral	1150	Black RAL 9005	F2CR3PT0022
Lateral	1150	Bicolor aluminium tone RAL 9006 Red bar RAL 3020	F2CR3PT0031
Lateral	1150	Bicolor aluminium tone RAL 9006 Green anise bar RAL 6019	F2CR3PT0045
Lateral	1450	Aluminium tone RAL 9006	F2CR3PT0026
Lateral	1450	Black RAL 9005	F2CR3PT0025
Lateral	1450	Bicolor aluminium tone RAL 9006 Red bar RAL 3020	F2CR3PT0034
Lateral	1450	Bicolor aluminium tone RAL 9006 Green anise bar RAL 6019	F2CR3PT0047

Dimensions in mm

# Touch-bars “issuDOM”

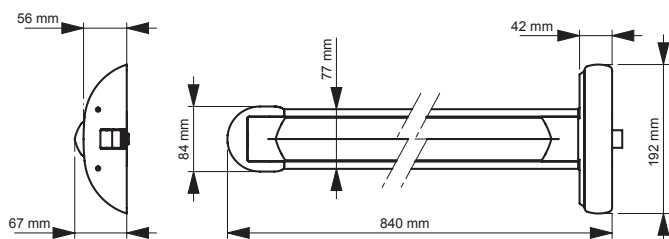
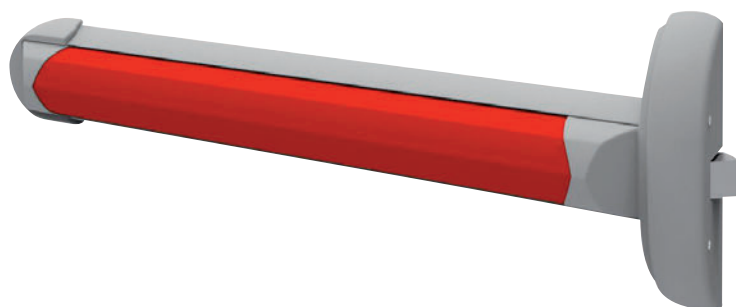
## issuDOM - TP100

Touch-bars - 1 point



### Technical features

Type of mounting	Rim lock
Number of locking points	1
Application	Aluminium, steel, wooden doors, PVC profiles, emergency exit doors, doors for heavy traffic areas
Reversible	Yes
Fire resistant	Yes
Outside opening	Knob or handle
Bar dimension	840 mm
Bar finish	Lacquered
Material of the cases	Steel/zamak
Protection	Anti-corrosion treatment
Certifications and Standards	Certified EN 1125: 2008 Level 7 (max.)
Durability test	More than 200 000 cycles opening/closing
Supplied accessories	Strike plate, screws, cover plate



**Design**  
 Fire resistant as standard  
 Reversible without disassembling  
 Easy adjustment of length by cutting

### Additional products



Exit pad



Exterior accessories with knob or handle



Adaptation kit

# Touch-bars “issuDOM”

## issuDOM - TP100

Touch-bars - 1 point



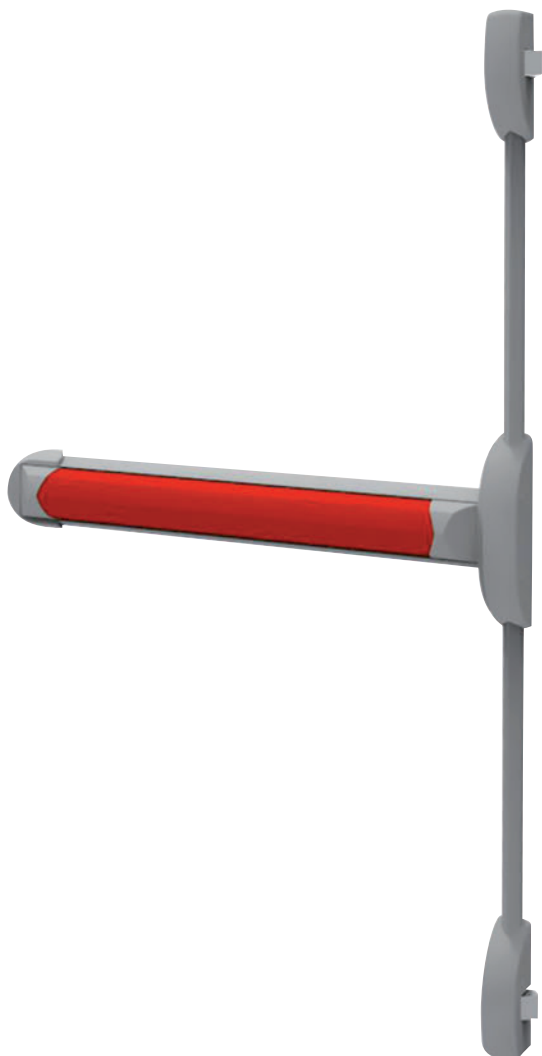
BAR DIMENSION	FINISH	ARTICLE NUMBER
840	White RAL 9016	F2PU1PT0001
840	Aluminium tone RAL 9006	F2PU1PT0002
840	Black RAL 9005	F2PU1PT0003
840	Bicolor aluminium tone RAL 9006 Red bar RAL 3020	F2PU1PT0004
840	Bicolor aluminium tone RAL 9006 Green anise bar RAL 6019	F2PU1PT0062
1170	White RAL 9016	F2PU1PT0007
1170	Aluminium tone RAL 9006	F2PU1PT0008
1170	Black RAL 9005	F2PU1PT0009
1170	Bicolor aluminium tone RAL 9006 Red bar RAL 3020	F2PU1PT0010
1170	Bicolor aluminium tone RAL 9006 Green anise bar RAL 6019	F2PU1PT0060
1300	White RAL 9016	F2PU1PT0013
1300	Aluminium tone RAL 9006	F2PU1PT0014
1300	Black RAL 9005	F2PU1PT0015
1300	Bicolor aluminium tone RAL 9006 Red bar RAL 3020	F2PU1PT0016
1300	Bicolor aluminium tone RAL 9006 Green anise bar RAL 6019	F2PU1PT0061

Dimensions in mm

# Touch-bars "issuDOM"

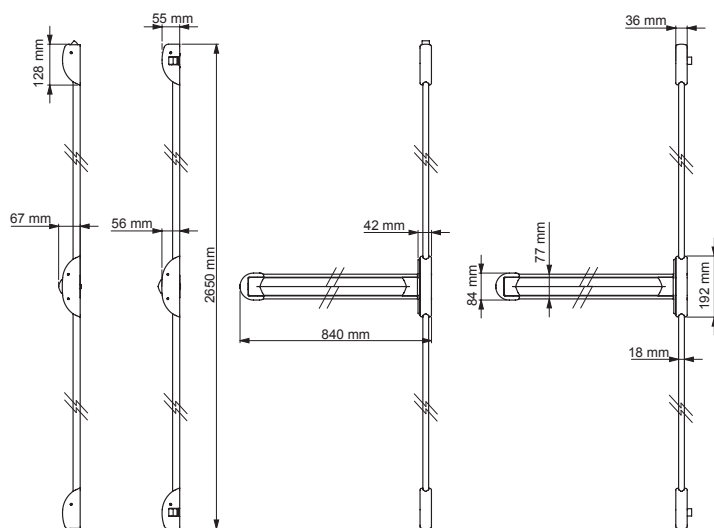
## issuDOM - TP200

Touch-bars - 2 points



### Technical features

Type of mounting	Rim lock
Number of locking points	2
Application	Aluminium, steel, wooden doors, PVC profiles, emergency exit doors, doors for heavy traffic areas
Reversible	Yes
Fire resistant	Yes
Outside opening	Knob or handle
Bar dimension	840 mm
Bar finish	Lacquered
Rod height	2660 mm
Adjustable upper and lower locking points	Yes
Rods material	Steel
Material of the cases	Steel/zamak
Protection	Anti-corrosion treatment
Certifications and Standards	Certified EN 1125: 2008 Level 7 (max.)
Durability test	More than 200 000 cycles opening/closing
Supplied accessories	Strike plate, screws, cover plate



**Design**  
 Fire resistant as standard  
 Reversible without disassembling  
 Easy adjustment of length by cutting  
 Lateral latches (no strike on the floor)

### Additional products



Exit pad



Exterior accessories with knob or handle



Adaptation kit

# Touch-bars “issuDOM”

## issuDOM - TP200

Touch-bars - 2 points



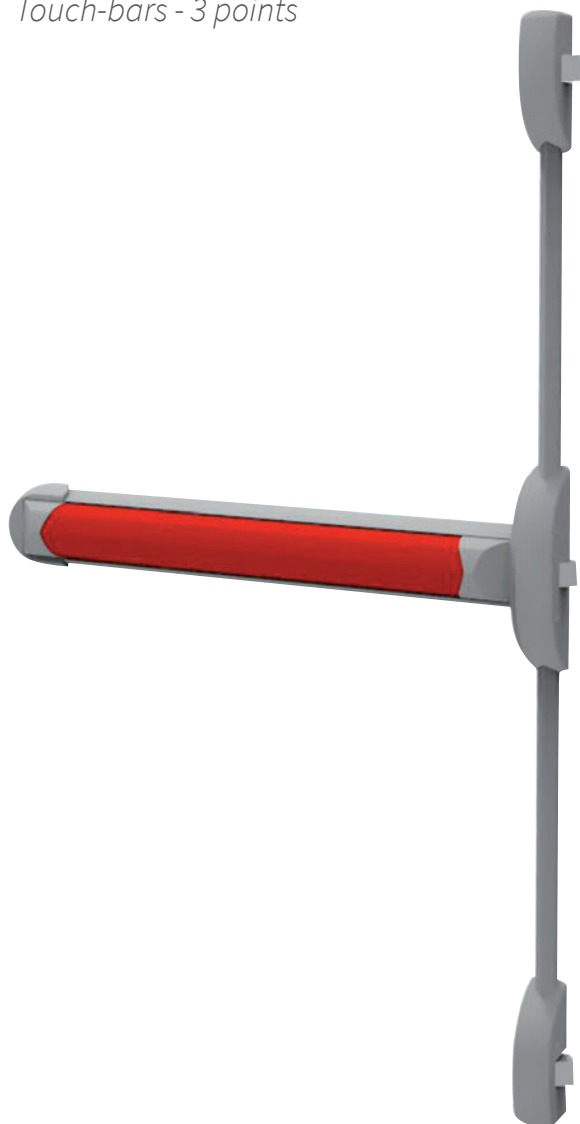
DEADBOLTS	BAR DIMENSION	FINISH	ARTICLE NUMBER
Upper and lower	840	White RAL 9016	F2PU2PT0001
Upper and lower	840	Aluminium tone RAL 9006	F2PU2PT0002
Upper and lower	840	Black RAL 9005	F2PU2PT0003
Upper and lower	840	Bicolor aluminium tone RAL 9006 Red bar RAL 3020	F2PU2PT0004
Upper and lower	840	Bicolor aluminium tone RAL 9006 Green anise bar RAL 6019	F2PU2PT0005
Upper and lower	1170	White RAL 9016	F2PU2PT0007
Upper and lower	1170	Aluminium tone RAL 9006	F2PU2PT0008
Upper and lower	1170	Black RAL 9005	F2PU2PT0009
Upper and lower	1170	Bicolor aluminium tone RAL 9006 Red bar RAL 3020	F2PU2PT0010
Upper and lower	1170	Bicolor aluminium tone RAL 9006 Green anise bar RAL 6019	F2PU2PT0060
Upper and lower	1300	White RAL 9016	F2PU2PT0013
Upper and lower	1300	Aluminium tone RAL 9006	F2PU2PT0014
Upper and lower	1300	Black RAL 9005	F2PU2PT0015
Upper and lower	1300	Bicolor aluminium tone RAL 9006 Red bar RAL 3020	F2PU2PT0016
Lateral	1300	Bicolor aluminium tone RAL 9006 Green anise bar RAL 6019	F2PU2PT0061
Lateral	840	White RAL 9016	F2PU2PT0019
Lateral	840	Aluminium tone RAL 9006	F2PU2PT0020
Lateral	840	Black RAL 9005	F2PU2PT0021
Lateral	840	Bicolor aluminium tone RAL 9006 Red bar RAL 3020	F2PU2PT0022
Lateral	1170	White RAL 9016	F2PU2PT0025
Lateral	1170	Aluminium tone RAL 9006	F2PU2PT0026
Lateral	1170	Black RAL 9005	F2PU2PT0027
Lateral	1170	Bicolor aluminium tone RAL 9006 Red bar RAL 3020	F2PU2PT0028
Lateral	1300	White RAL 9016	F2PU2PT0031
Lateral	1300	Aluminium tone RAL 9006	F2PU2PT0032
Lateral	1300	Black RAL 9005	F2PU2PT0033
Lateral	1300	Bicolor aluminium tone RAL 9006 Red bar RAL 3020	F2PU2PT0034

Dimensions in mm

# Touch-bars "issuDOM"

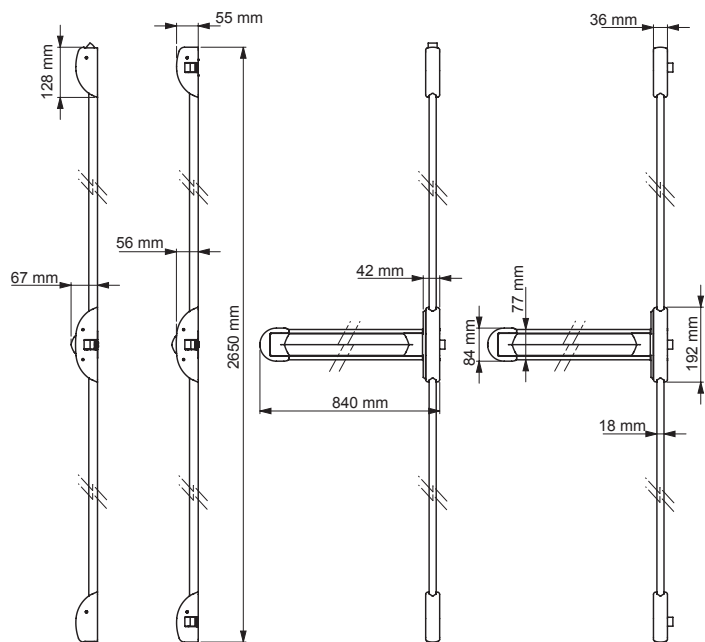
## issuDOM - TP300

Touch-bars - 3 points



### Technical features

Type of mounting	Rim lock
Number of locking points	3
Application	Aluminium, steel, wooden doors, PVC profiles, emergency exit doors, doors for heavy traffic areas
Reversible	Yes
Fire resistant	Yes
Outside opening	Knob or handle
Bar dimension	840 mm
Bar finish	Lacquered
Rod height	2660 mm
Adjustable upper and lower locking points	Yes
Rods material	Steel
Material of the cases	Steel/zamak
Protection	Anti-corrosion treatment
Certifications and Standards	Certified EN 1125: 2008 Level 7 (max.)
Durability test	More than 200 000 cycles opening/closing
Supplied accessories	Strike plate, screws, cover plate



**Design**  
 Fire resistant as standard  
 Reversible without disassembling  
 Easy adjustment of length by cutting  
 Lateral latches (no strike on the floor)

### Additional products



Exit pad



Exterior accessories with knob or handle



Adaptation kit

# Touch-bars “issuDOM”

## issuDOM - TP300

Touch-bars - 3 points



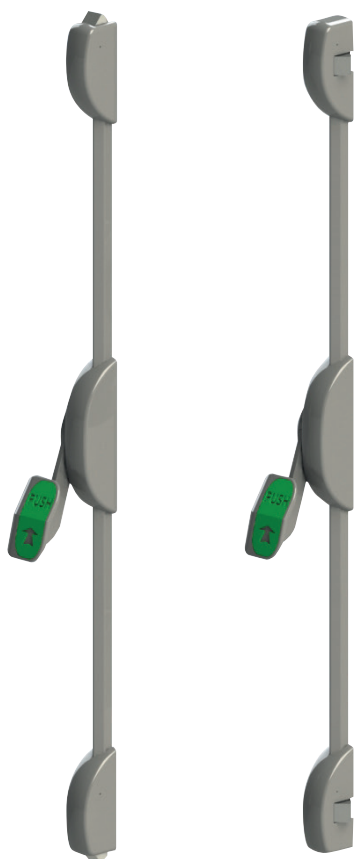
DEADBOLTS	BAR DIMENSION	FINISH	ARTICLE NUMBER
Upper and lower	840	White RAL 9016	F2PU3PT0001
Upper and lower	840	Aluminium tone RAL 9006	F2PU3PT0002
Upper and lower	840	Black RAL 9005	F2PU3PT0003
Upper and lower	840	Bicolor aluminium tone RAL 9006 Red bar RAL 3020	F2PU3PT0004
Upper and lower	840	Bicolor aluminium tone RAL 9006 Green anise bar RAL 6019	F2PU3PT0005
Upper and lower	1170	Aluminium tone RAL 9006	F2PU3PT0008
Upper and lower	1170	Black RAL 9005	F2PU3PT0009
Upper and lower	1170	Bicolor aluminium tone RAL 9006 Red bar RAL 3020	F2PU3PT0010
Upper and lower	1170	Bicolor aluminium tone RAL 9006 Green anise bar RAL 6019	F2PU3PT0060
Upper and lower	1300	White RAL 9016	F2PU3PT0013
Upper and lower	1300	Aluminium tone RAL 9006	F2PU3PT0014
Upper and lower	1300	Black RAL 9005	F2PU3PT0015
Upper and lower	1300	Bicolor aluminium tone RAL 9006 Red bar RAL 3020	F2PU3PT0016
Upper and lower	1300	Bicolor aluminium tone RAL 9006 Green anise bar RAL 6019	F2PU3PT0017
Lateral	840	White RAL 9016	F2PU3PT0019
Lateral	840	Aluminium tone RAL 9006	F2PU3PT0020
Lateral	840	Black RAL 9005	F2PU3PT0021
Lateral	840	Bicolor aluminium tone RAL 9006 Red bar RAL 3020	F2PU3PT0022
Lateral	840	Bicolor aluminium tone RAL 9006 Green anise bar RAL 6019	F2PU3PT0023
Lateral	1170	White RAL 9016	F2PU3PT0025
Lateral	1170	Aluminium tone RAL 9006	F2PU3PT0026
Lateral	1170	Black RAL 9005	F2PU3PT0027
Lateral	1170	Bicolor aluminium tone RAL 9006 Red bar RAL 3020	F2PU3PT0028
Lateral	1170	Bicolor aluminium tone RAL 9006 Green anise bar RAL 6019	F2PU3PT0029
Lateral	1300	White RAL 9016	F2PU3PT0031
Lateral	1300	Aluminium tone RAL 9006	F2PU3PT0032
Lateral	1300	Black RAL 9005	F2PU3PT0033
Lateral	1300	Bicolor aluminium tone RAL 9006 Red bar RAL 3020	F2PU3PT0034
Lateral	1300	Bicolor aluminium tone RAL 9006 Green anise bar RAL 6019	F2PU3PT0035

Dimensions in mm

# Panic Pad “issuDOM-PAD”

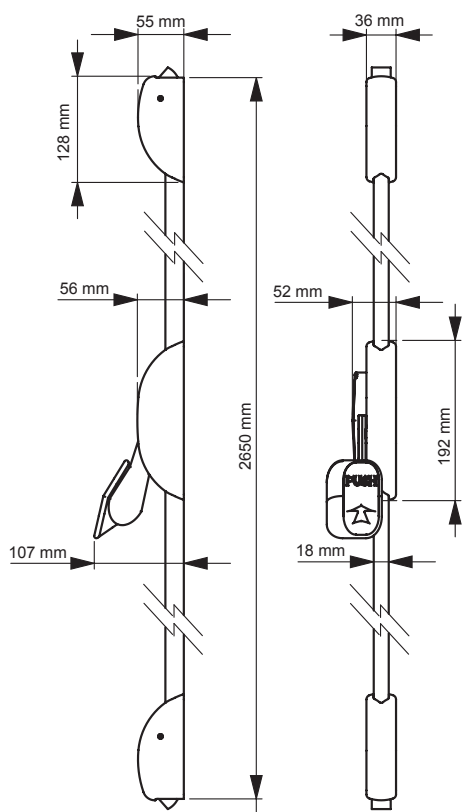
## issuDOM - PAD

Exit Pad



### Technical features

Type of mounting	Rim lock
Number of locking points	2
Application	Semi-fixed leaf
Reversible	Yes
Fire resistant	Yes
Rod height	2660 mm
Adjustable upper and lower locking points	Yes
Rods material	Steel
Material of the cases	Steel/zamak
Protection	Anti-corrosion treatment
Certifications and Standards	Certified EN 1125: 2008 Level 7 (max.)
Durability test	More than 200 000 cycles opening/closing
Supplied accessories	Strike plate, screws, cover plate



- Design**
- Fire-resistant as standard**
- Easy-fitting**
- Reduced size of case**
- Reversible without disassembling**

DEADBOLTS	FINISH	ARTICLE NUMBER
Upper and lower	White RAL 9016	F2PA2PT0002
Upper and lower	Aluminium tone RAL 9006	F2PA2PT0003
Upper and lower	Black RAL 9005	F2PA2PT0001

Dimensions in mm



# issuDOM - MBO - MBE

Exterior accessories - knob or handle

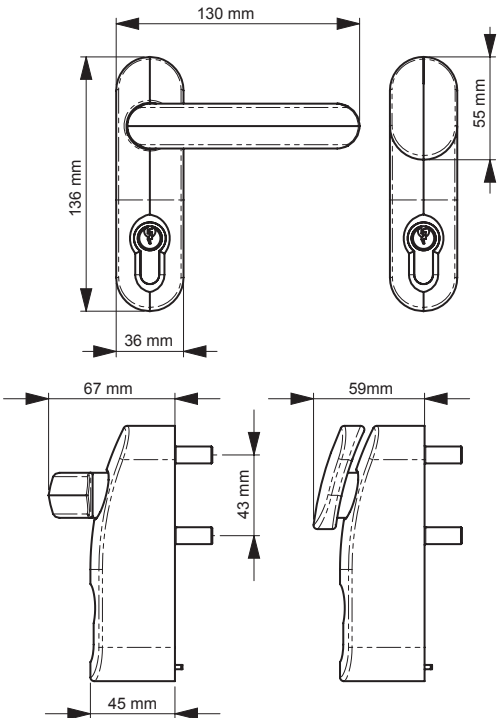


Supplied without cylinder

### Technical features

Type of mounting	Rim lock
Material	Zamak
Entrance	Euro profile
Application	Aluminium, steel, wooden doors, PVC profiles, emergency exit doors, doors for heavy traffic areas
Locking	With key
Reversible	Yes
Material of the cases	Steel/zamak
Protection	Anti-corrosion treatment
Recommended cylinder	Euro profile half cylinder 40 mm
Supplied accessories	Screws

**+** Design  
Knob or handle protected against attacks, with emergency function



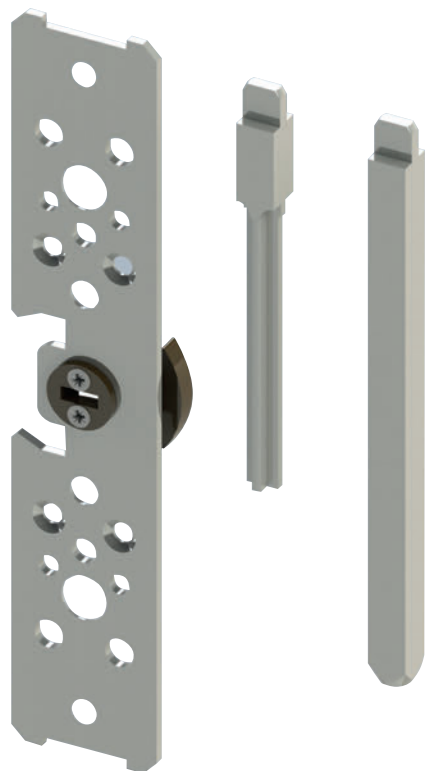
EXTERIOR ACCESSORIES	FINISH	ARTICLE NUMBER
With knob	White RAL 9016	F2MOBOU0002
With knob	Aluminium tone RAL 9006	F2MOBOU0003
With knob	Black RAL 9005	F2MOBOU0001
With handle	White RAL 9016	F2MOBEQ0002
With handle	Aluminium tone RAL 9006	F2MOBEQ0003
With handle	Black RAL 9005	F2MOBEQ0001

Dimensions in mm

# Adaptation kit "issuDOM"

## Kit issuDOM

Replacement kit for cross-bars



### Technical features

Kit includes 1 steel plate  
3 different sizes of follower



Allow you to change your anti-panic locking system without changing the external operation module (compatible with most of the external modules of the market)

FINISH	ARTICLE NUMBER
Steel	F2KITREMP1

Dimensions in mm.

